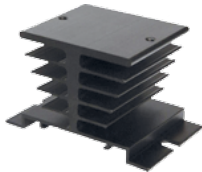






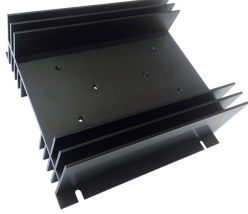


# RH

## heatsinks for relays RSR52, RSR62

	RH21	RH19A	RH19B
			
Applications	for RSR52	for RSR52	for RSR52
Material	aluminum	aluminum	aluminum
Color	black	black	black
Dimensions (L x W x H)	80 x 50 x 50 mm	70 x 50 x 69 mm	81 x 50 x 83 mm
Weight (typical)	115 g	275 g	335 g
Thermal resistance	2,1 °C/W	1,9 °C/W	1,9 °C/W
Additional equipment	–	RDR-10 ❶	–
Mounting	on panel, on 35 mm rail mount	on panel	on 35 mm rail mount

	RH17A	RH17B	RH06B
			
Applications	for RSR52	for RSR52	for RSR52
Material	aluminum	aluminum	aluminum
Color	grey	black	black
Dimensions (L x W x H)	90 x 50 x 69 mm	100 x 49 x 81 mm	123 x 76 x 67 mm
Weight (typical)	350 g	255 g	300 g
Thermal resistance	1,7 °C/W	1,7 °C/W	1,5 °C/W
Additional equipment	RDR-30 ❷	–	–
Mounting	on panel	on panel	on panel

	RH16	RH16-F	RH11
			
Applications	for RSR52	for RSR52	for RSR52, RSR62
Material	aluminum	aluminum	aluminum
Color	black	black	black
Dimensions (L x W x H)	106 x 50 x 96 mm	106 x 80 x 96 mm	142 x 150 x 55 mm
Weight (typical)	375 g	645 g	539 g
Thermal resistance	1,6 °C/W	0,6 °C/W	1,1 °C/W
Additional equipment	–	built-in fan	–
Mounting	on panel, on 35 mm rail mount	on panel, on 35 mm rail mount	on panel

❶ Clip RDR-10 for heatsink RH19A: for mounting on 35 mm rail mount (including 6 holes on M4 screws).


❷ Clip RDR-30 for heatsink RH17A, RH09: for mounting on 35 mm rail mount (including 6 holes on M3 screws).

# RH

## heatsinks for relays RSR52, RSR62

RH09



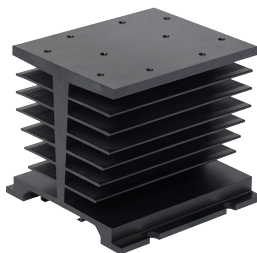
Applications	for RSR52, RSR62
Material	aluminum
Color	black
Dimensions (L x W x H)	100 x 110 x 81 mm
Weight (typical)	560 g
Thermal resistance	0,9 °C/W
Additional equipment	RDR-30 
Mounting	on panel

RH04A-F



Applications	for RSR52, RSR62
Material	aluminum
Color	black
Dimensions (L x W x H)	100 x 140 x 81 mm
Weight (typical)	830 g
Thermal resistance	0,4 °C/W
Additional equipment	built-in fan
Mounting	on panel

RH08



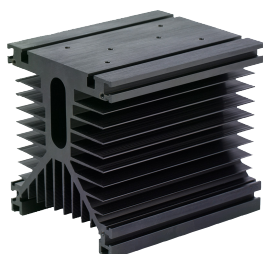
Applications	for RSR52, RSR62
Material	aluminum
Color	black
Dimensions (L x W x H)	106 x 110 x 96 mm
Weight (typical)	825 g
Thermal resistance	0,8 °C/W
Additional equipment	–
Mounting	on panel, on 35 mm rail mount

RH08-F



Applications	for RSR52, RSR62
Material	aluminum
Color	black
Dimensions (L x W x H)	106 x 140 x 96 mm
Weight (typical)	1 095 g
Thermal resistance	0,35 °C/W
Additional equipment	built-in fan
Mounting	on panel, on 35 mm rail mount

RH04B




Applications	for RSR52, RSR62
Material	aluminum
Color	black
Dimensions (L x W x H)	125 x 150 x 135 mm
Weight (typical)	2 320 g
Thermal resistance	0,4 °C/W
Additional equipment	–
Mounting	on 35 mm rail mount

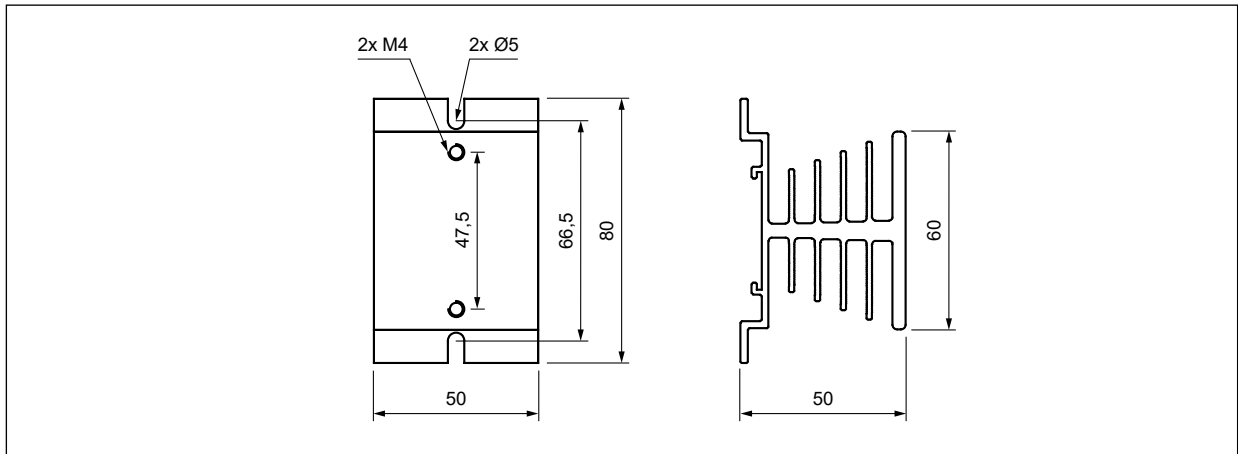
RH04B-F



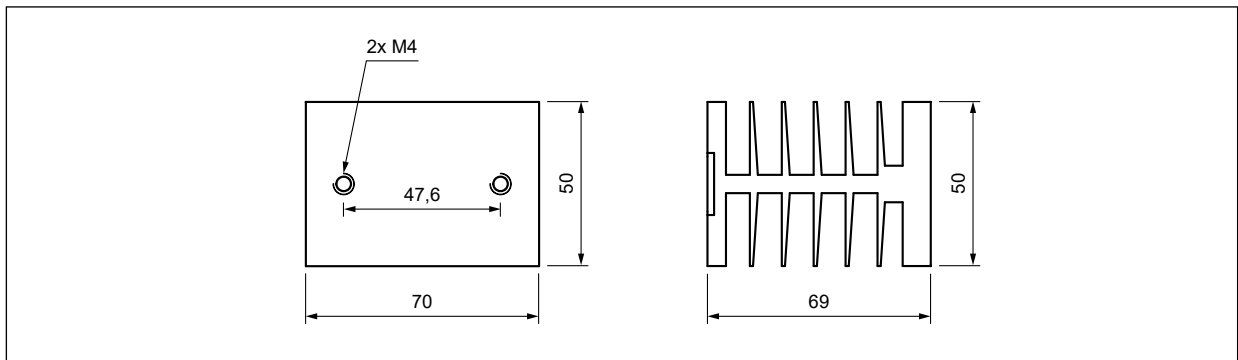
Applications	for RSR52, RSR62
Material	aluminum
Color	black
Dimensions (L x W x H)	125 x 193 x 135 mm
Weight (typical)	2 590 g
Thermal resistance	0,15 °C/W
Additional equipment	built-in fan
Mounting	on 35 mm rail mount

 Clip RDR-30 for heatsink RH17A, RH09: for mounting on 35 mm rail mount (including 6 holes on M3 screws).

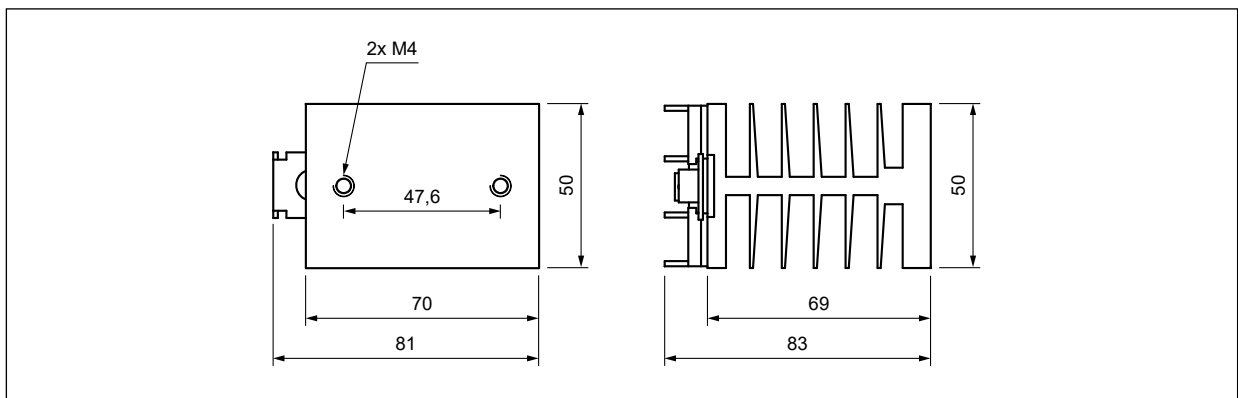
## Dimensions



Heatsink **RH21**

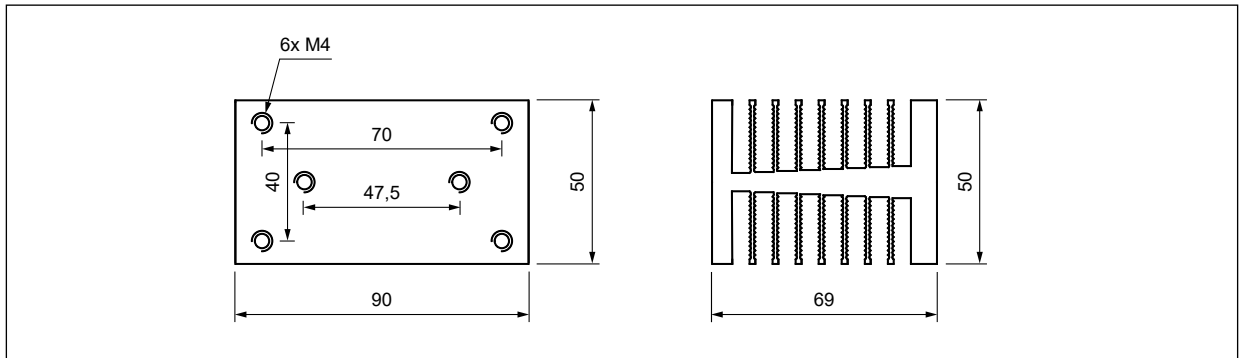


Heatsink **RH19A**

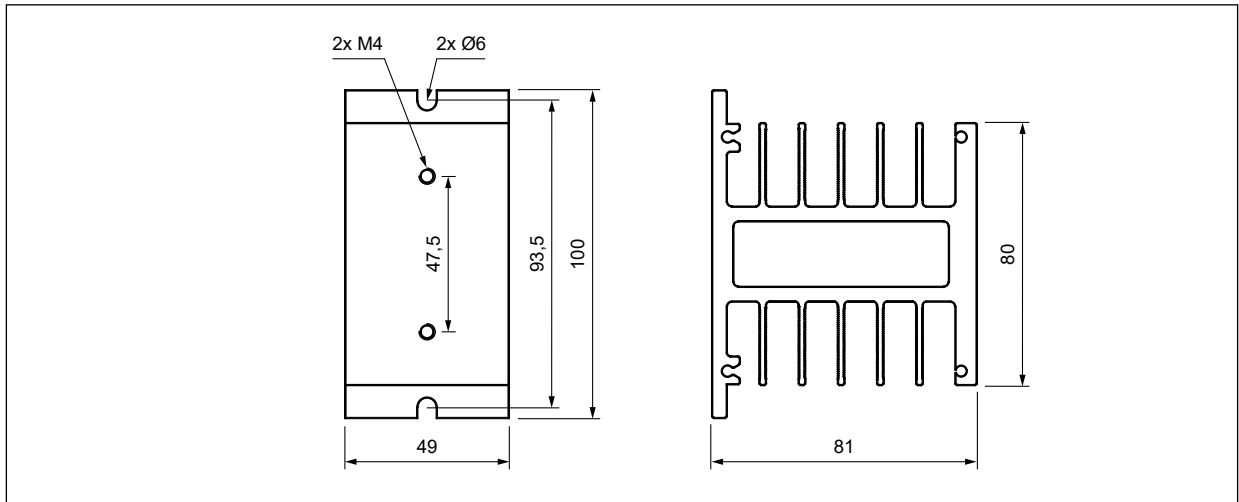


Heatsink **RH19B**

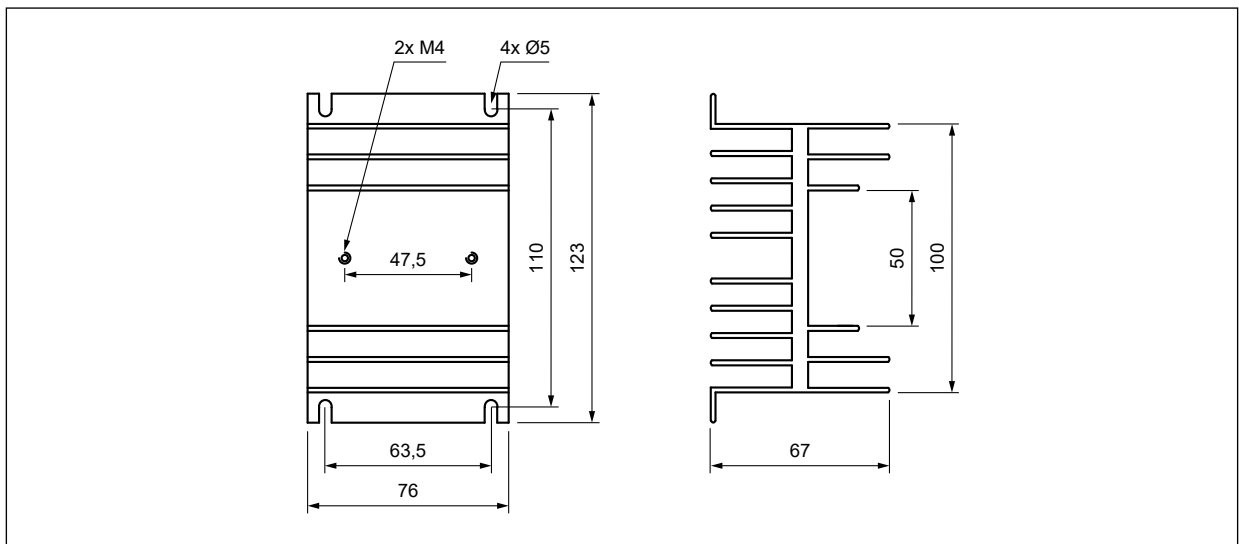
## Dimensions



Heatsink **RH17A**

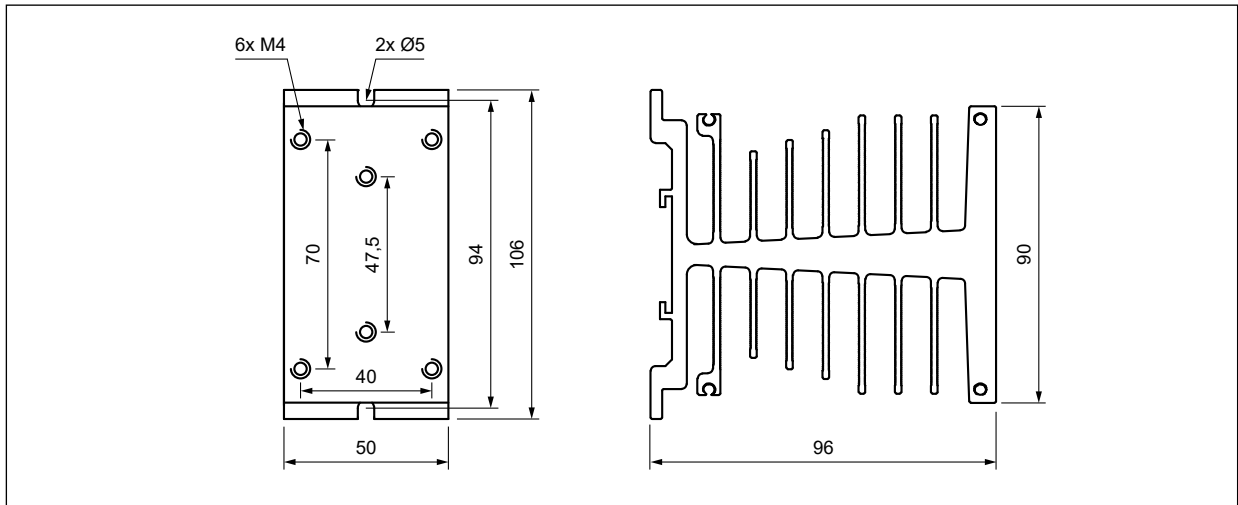


Heatsink **RH17B**

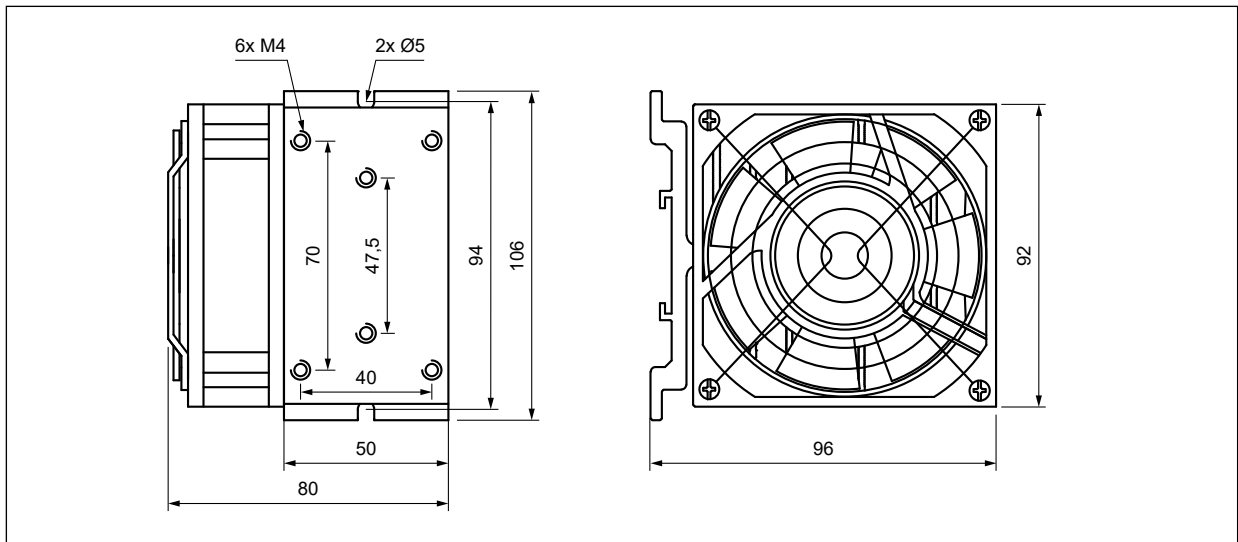


Heatsink **RH06B**

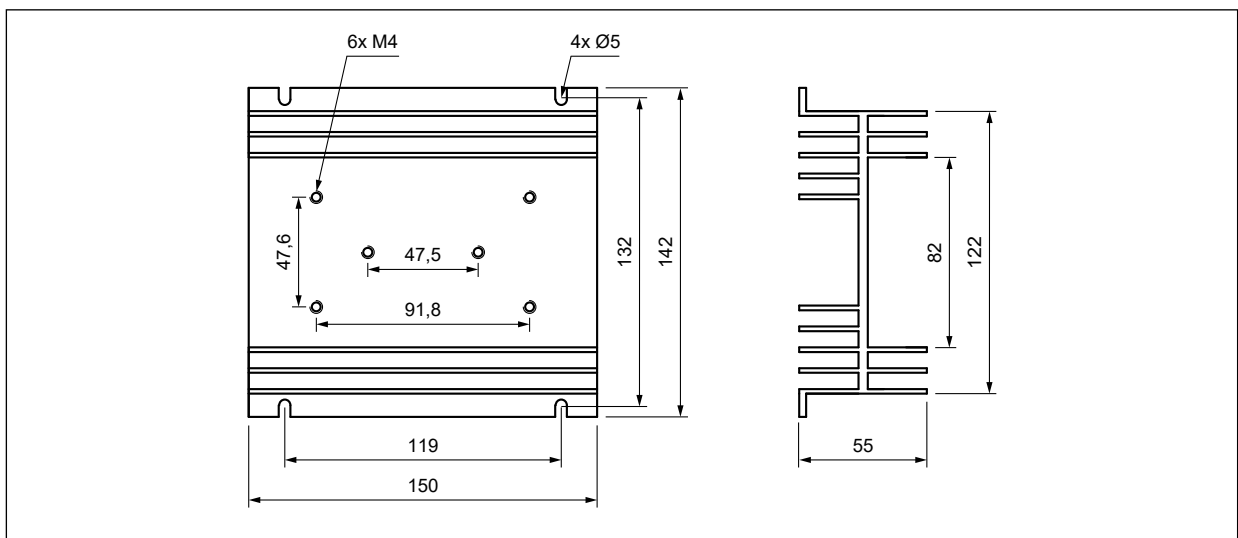
## Dimensions



Heatsink **RH16**



Heatsink **RH16-F**

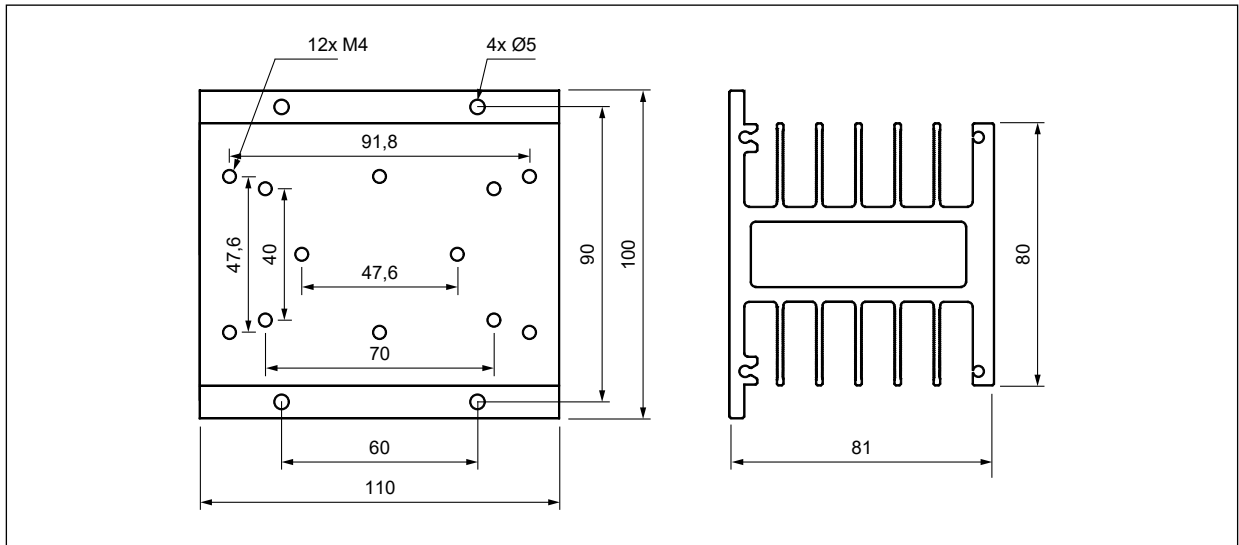


Heatsink **RH11**

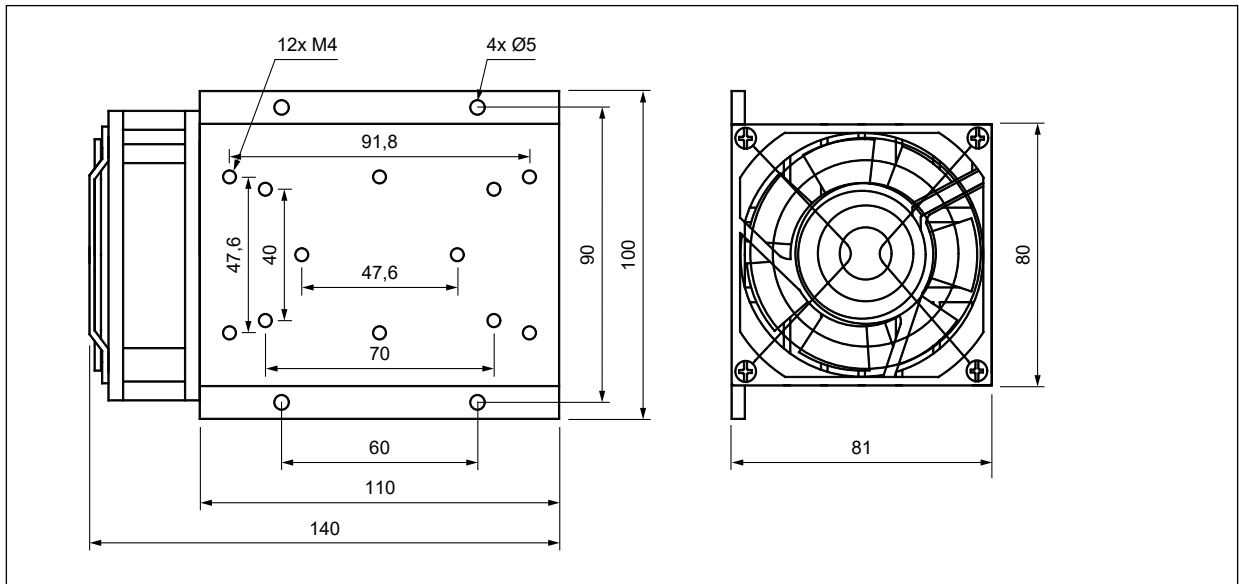
# RH

heatsinks for relays RSR52, RSR62

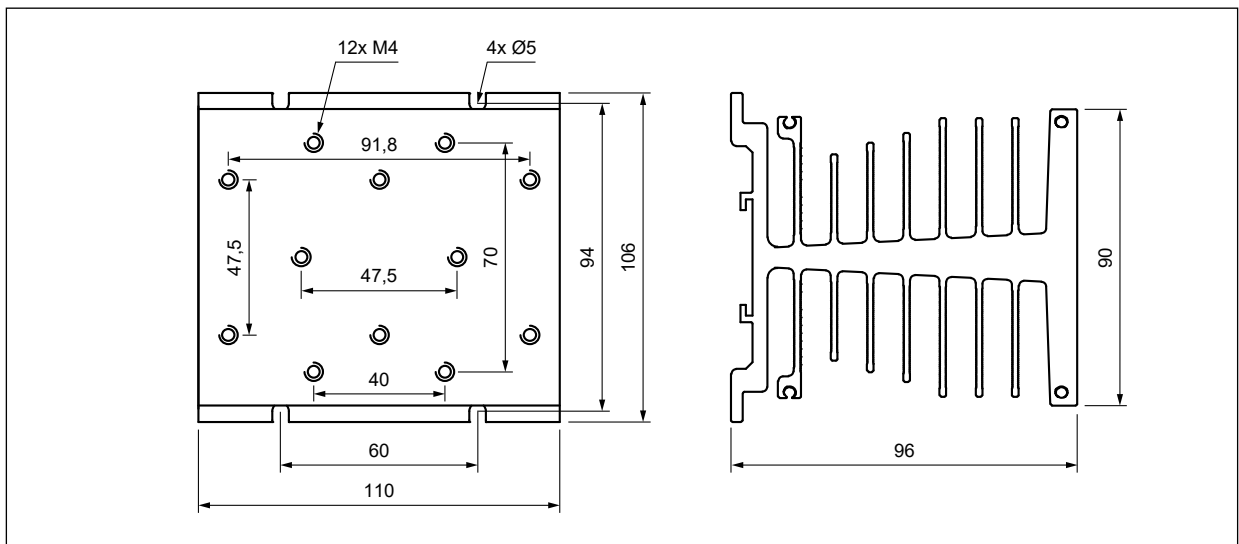
## Dimensions



Heatsink RH09



Heatsink RH04A-F

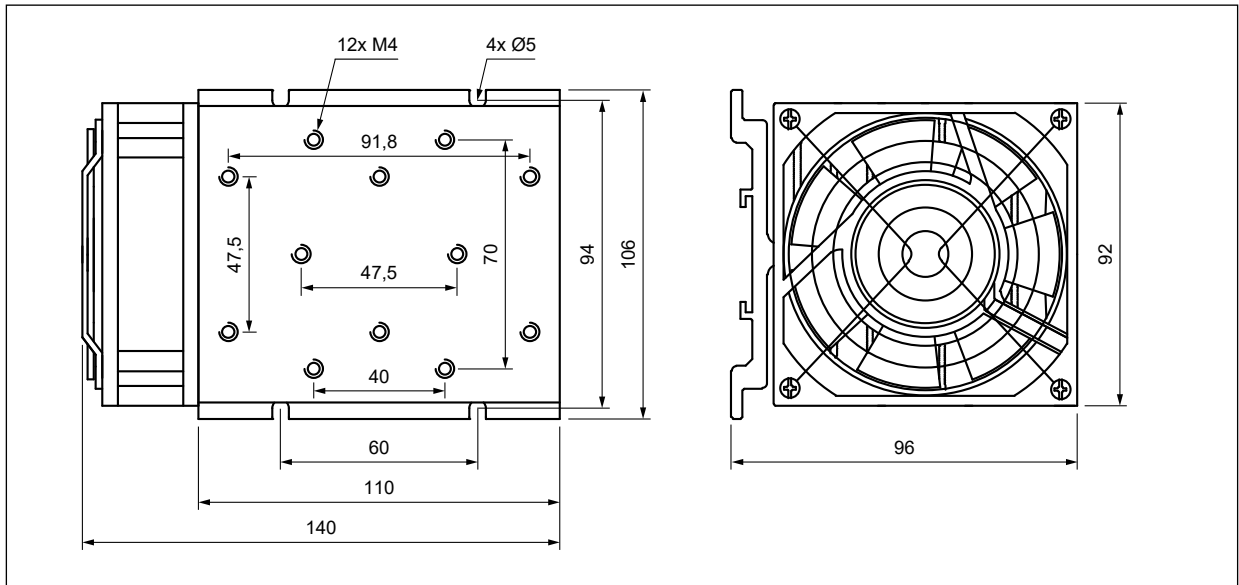


Heatsink RH08

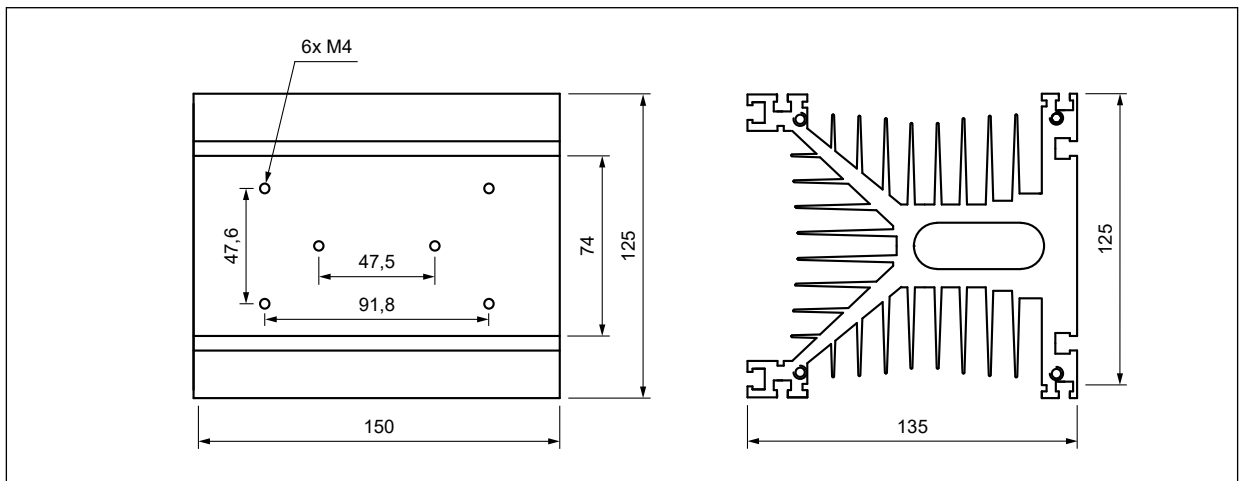
# RH

heatsinks for relays RSR52, RSR62

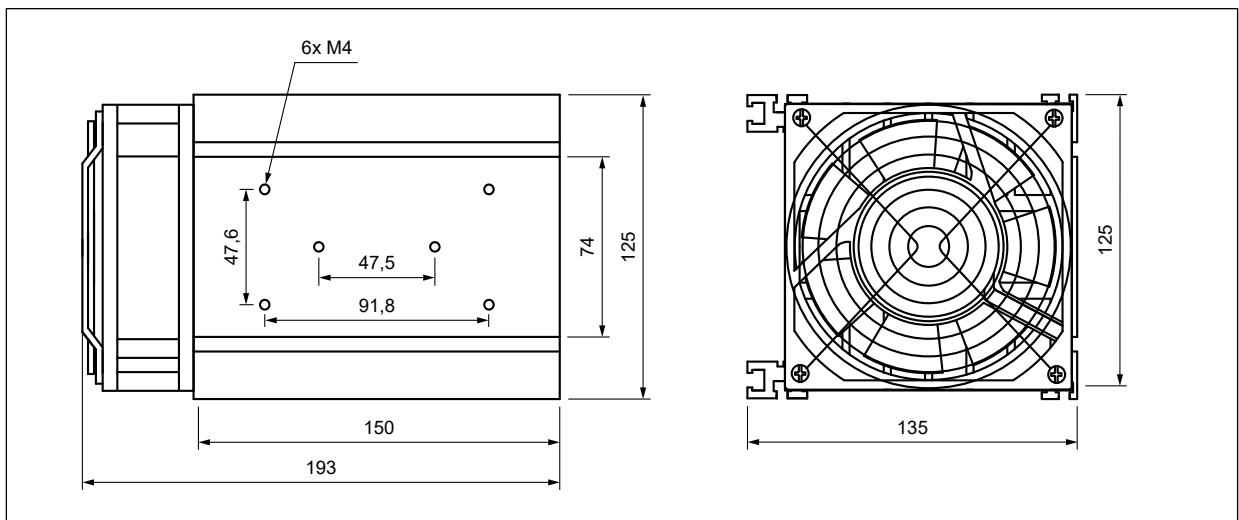
## Dimensions



Heatsink RH08-F



Heatsink RH04B



Heatsink RH04B-F