



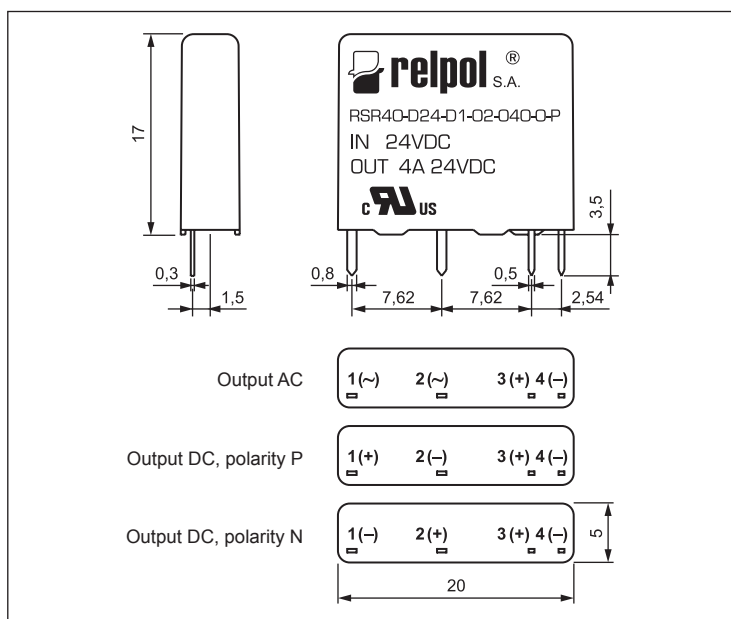
AC Load

- Optically isolated
- Ultra slim and light weight, SIL terminals type for high density mounting
- Low on-state resistance • Low input power consumption
- TTL and CMOS compatible
- RC networks (V AC)
- MOSFET output thyristor (V DC)
- Recognitions, certificates, directives: RoHS,

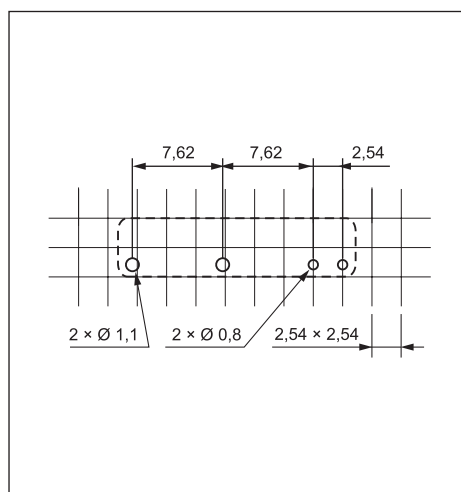
Type of relay ❶	D05-A1-24-010-1-0	D12-A1-24-010-1-0	D24-A1-24-010-1-0
Input circuit			
Nominal voltage	5 V DC	12 V DC	24 V DC
Control voltage range	3...10 V DC	7...20 V DC	18..32 V DC
Max. control current	12 mA	10 mA	7,7 mA
Release voltage	1,0 V DC	1,0 V DC	1,0 V DC
Min. input impedance	320 Ω	1,07 kΩ	3,0 kΩ
Output circuit			
Max. load current	1 A ACrms		
Nominal load voltage	240 V AC		
Load voltage range	24...265 V AC		
Max. non-repetitive peak voltage	600 V AC		
Max. non-repetitive peak current	50 A		
Max. off-state leakage current	2,0 mA		
Max. on-state voltage drop	1,5 V		
Min. load current	50 mA		
General data			
Zero-on (Z), random-on (R)	R		
Max. turn-on time	1 ms		
Max. turn-off time	1/2 cycle + 1 ms		
Min. insulation resistance	between input and output: 1 000 MΩ 500 V DC		
Insulation dielectric strength	between input and output: 2 500 V ACrms 1 minute		
Dimensions (L x W x H)	20 x 5 x 17 mm		
Weight	3 g		
Storage temperature	-40...+100 °C		
Operating temperature	-30...+85 °C		
Max. solder bath temperature	220 °C 10 s		

❶ Standard versions of relays are marked with bold type.

Dimensions



Mounting openings raster



Description, ordering codes
- see page 12



NEW
product

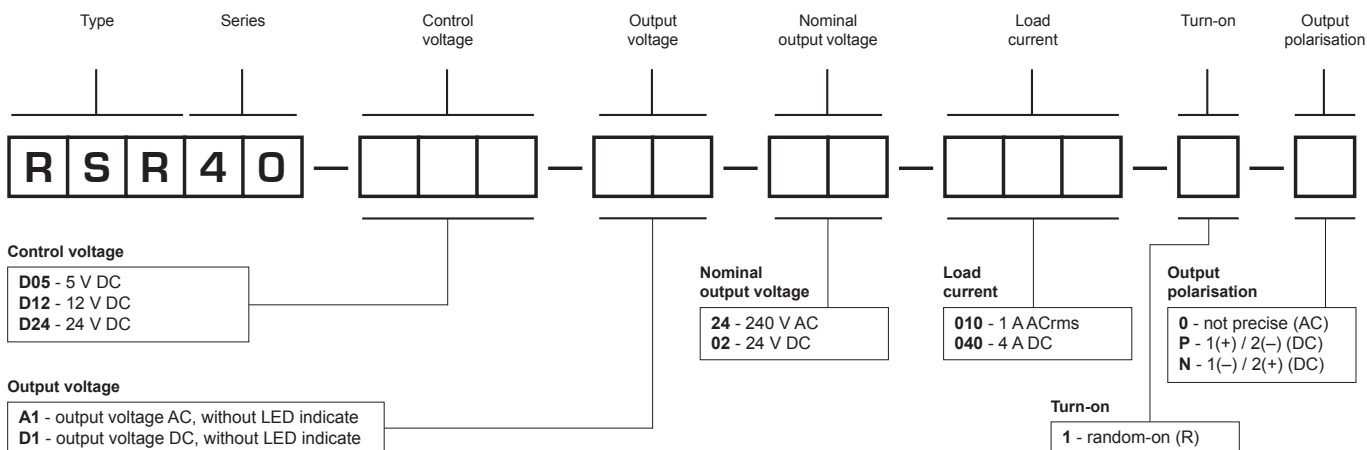
DC Load

- **Applications:** temperature control system, industrial automatic control, light system, office appliances, factory appliances
- **Mounting:** relays RSR40 are designed for direct PCB mounting, single in line package

Type of relay ①	D05-D1-02 -040-1-P	D12-D1-02 -040-1-P	D24-D1-02 -040-1-P	D05-D1-02 -40-1-N	D12-D1-02 -40-1-N	D24-D1-02 -40-1-N
Input circuit						
Nominal voltage	5 V DC	12 V DC	24 V DC	5 V DC	12 V DC	24 V DC
Control voltage range	3...10 V DC	7...20 V DC	18...32 V DC	3...10 V DC	7...20 V DC	18...32 V DC
Max. control current	12 mA	10 mA	7,7 mA	12 mA	10 mA	7,7 mA
Release voltage	1,0 V DC	1,0 V DC	1,0 V DC	1,0 V DC	1,0 V DC	1,0 V DC
Min. input impedance	320 Ω	1,07 kΩ	3,0 kΩ	320 Ω	1,07 kΩ	3,0 kΩ
Output circuit						
Max. load current	4 A DC					
Nominal load voltage	24 V DC					
Load voltage range	0...30 V DC					
Max. non-repetitive peak current	7 A 10 ms					
Max. off-state leakage current	< 1 mA					
Max. on-state voltage drop	0,24 V at 2 A					
Min. load current	1 mA					
Operating switching frequency	10 Hz					
Output polarisation	P - 1(+)/ 2(-)			N - 1(-)/ 2(+)		
General data						
Zero-on (Z), random-on (R)	R					
Max. turn-on time	1 ms					
Max. turn-off time	0,1 ms					
Min. insulation resistance	between input and output: 1 000 MΩ 500 V DC					
Insulation dielectric strength	between input and output: 3 750 V ACrms 1 minute					
Dimensions (L x W x H)	20 x 5 x 17 mm					
Weight	3 g					
Storage temperature	-25...+80 °C					
Operating temperature	-20...+80 °C					
Max. solder bath temperature	220 °C 10 s					

① Standard versions of relays are marked with bold type.

Ordering codes



Description, dimensions, mounting openings raster - see page 11