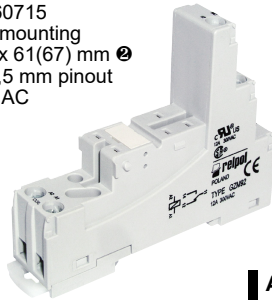


# Plug-in sockets and accessories

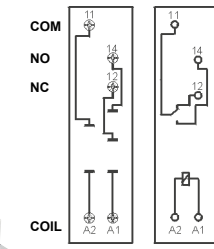
## GZM92

For RM87N, RM87N sensitive

Screw terminals  
Max. tightening moment  
for the terminal: 0,7 Nm  
35 mm rail mount  
acc. to EN 60715  
or on panel mounting  
81,6 x 15,9 x 61(67) mm ②  
One pole, 3,5 mm pinout  
12 A, 300 V AC



### Connection diagrams



RM87N

GZT80-0035

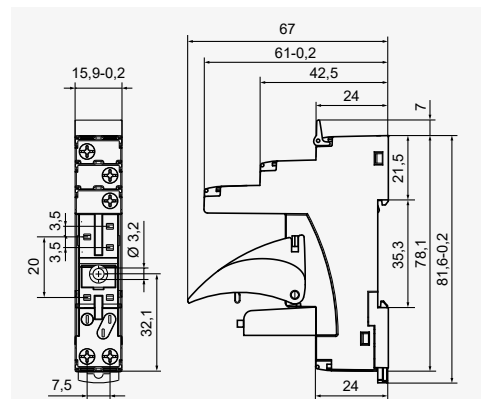
Module type M...



ZGGZ80

GZM80-0041

### Dimensions



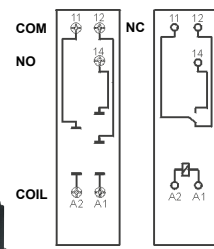
## GZS92

For RM87N, RM87N sensitive

Screw terminals  
Max. tightening moment  
for the terminal: 0,5 Nm  
35 mm rail mount  
acc. to EN 60715  
or on panel mounting  
76,8 x 15,8 x 42,5(57,1) mm ②  
One pole, 3,5 mm pinout  
12 A, 300 V AC



### Connection diagrams



RM87N

TR

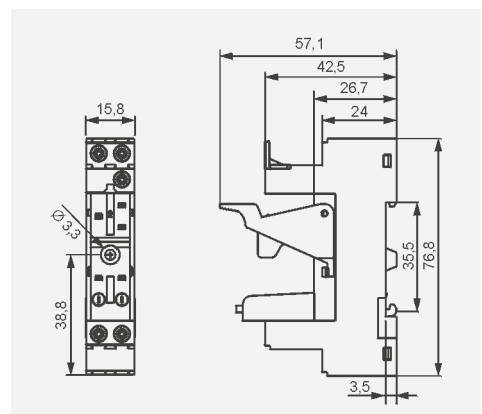
Module type M...



ZGGZ80

GZM80-0041

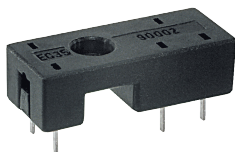
### Dimensions



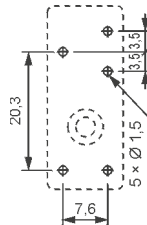
## EC 35

For RM87N, RM87N sensitive

For PCB  
31,3 x 12,7 x 9 mm  
One pole, 3,5 mm pinout  
12 A, 300 V AC



### Pinout

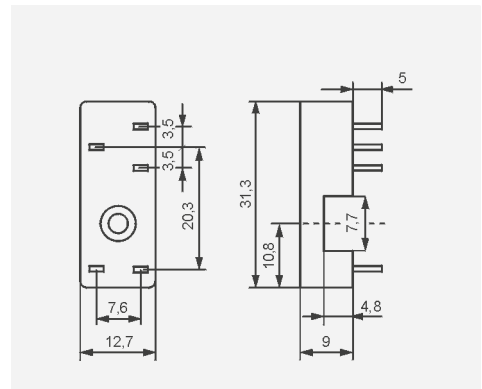


MP16-2



MH16-2

### Dimensions



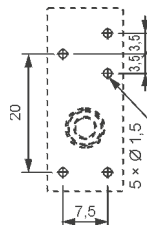
## GD35

For RM87N, RM87N sensitive

For PCB  
31,5 x 13 x 9 mm  
One pole, 3,5 mm pinout  
12 A, 300 V AC



### Pinout



MP16-2

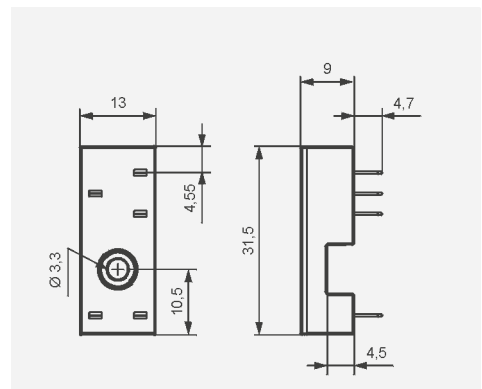


MH16-2



GD-0016

### Dimensions



① Mounting and sub-assemblies of accessories in the socket - see page 16. Signalling / protecting modules type M... - see page 17.  
② In the bracket the height of socket with retainer / retractor clip is shown.