

Sockets and accessories

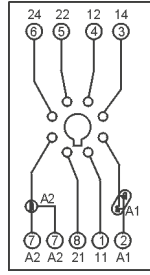
GZP8

For R15 - 2 CO

Screw terminals
Max. tightening moment
for the terminal: 0,5 Nm
35 mm rail mount
acc. to EN 60715
or on panel mounting
73 x 38,2 x 27,2 mm
Two poles
12 A, 300 V AC



Connection diagram



Module type 21, 41



Time module COM3



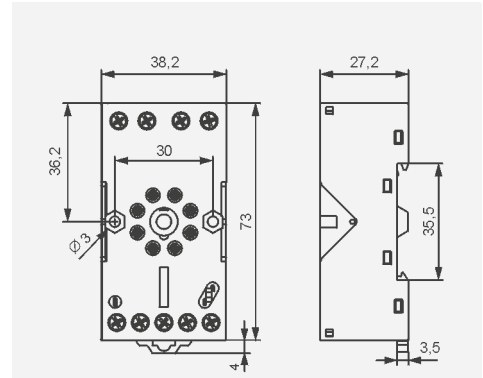
GZP-0054



GZP-0035

Accessories

Dimensions



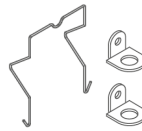
GOP8

For R15 - 2 CO

Solder terminals
47,2 x 32 x 22 mm
Two poles
10 A, 250 V AC

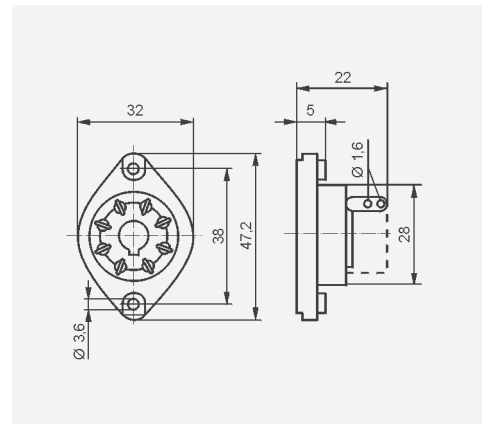


Accessories



R159 1051

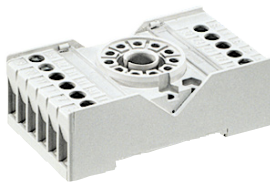
Dimensions



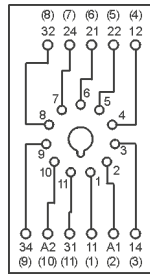
PZ11

For R15 - 3 CO

Screw terminals
Max. tightening moment
for the terminal: 0,7 Nm
35 mm rail mount
acc. to EN 60715
or on panel mounting
68,2 x 38 x 24,2 mm
Three poles
10 A, 250 V AC



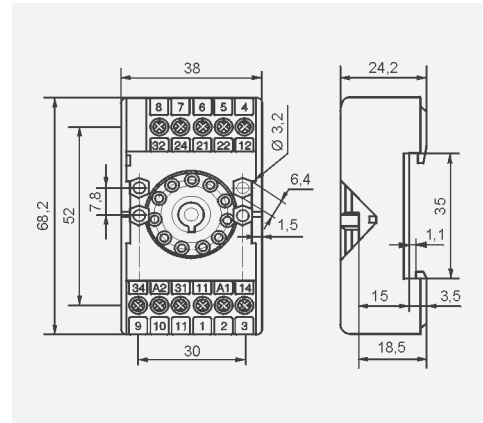
Connection diagram



PZ11 0031

Accessories

Dimensions



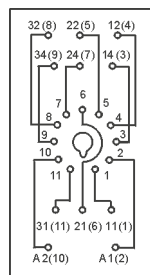
GZU11

For R15 - 3 CO

Screw terminals
Max. tightening moment
for the terminal: 0,7 Nm
35 mm rail mount
acc. to EN 60715
82 x 35,5 x 25,7 mm
Three poles
10 A, 250 V AC



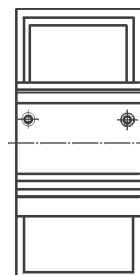
Connection diagram



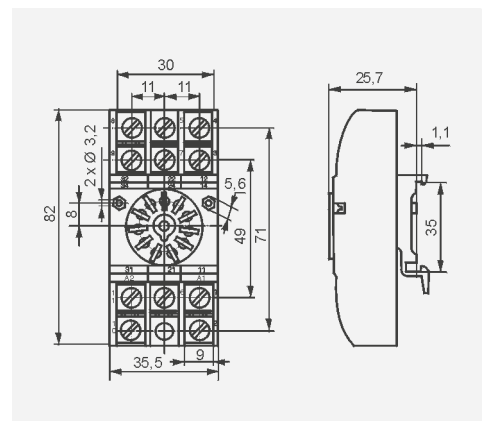
GZU 1052

Accessories

Adaptor



Dimensions



⚠ Have obtained LR Type Approval Certificate (Lloyd's Register).